

488nm, 532nm Polarization Insensitive Optical Circulator-3 Ports

Features

- Low Insertion Loss
- High Isolation
- High Stability and Reliability

Applications

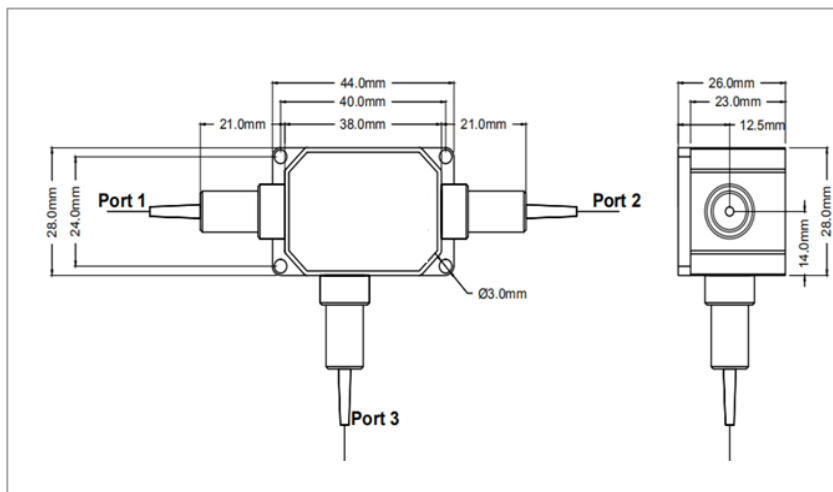
- Fiber Laser
- Fiber Optical Instrument
- Fiber Sensor

Specifications

Parameters	Unit	Values
Center Wavelength	nm	488, 532
Bandwidth	nm	±5
Typ. Insertion Loss, 23°C	dB	1.5
Insertion Loss, 23°C	dB	≤2.0
Isolation, 23°C	dB	≥20
PDL	dB	≤0.2
Crosstalk	dB	≥40
Return Loss	dB	≥40
Fiber Type	--	460HP
Optical Power (CW, Including Port 1 & Port 2)	W	0.5, 1, 2
Peak Power for ns Pulse	kW	10 or Specified
Operating Temperature	°C	+10 ~ +50
Storage Temperature	°C	0 ~ +60

*With connectors, power will be 0.1W CW only, IL +1.0dB and RL-5dB.

Package Dimensions



for 532nm

Ordering Information

CIR- ①-②②②-③③③-④④④④④-⑤⑤⑤-⑥⑥-⑦⑦⑦⑦

①	Port Type	3=3 Ports;
②	Wavelength	488; 532;
③	Pigtail Type	250=250µm Fiber; 900=900µm Loose Tube; 3mm=3mm Loose Tube;
④	Fiber Type	460HP;
⑤	Length	0.8= 0.8m;
⑥	Connector	NE=None; FA=FC/APC; FC=FC/UPC; SA=SC/APC; SC=SC/UPC; LC=LC/UPC;
⑦	Power Handling	0.5W; 1W; 2W;